

Model

RT Series

ROUGH TERRAIN SCISSOR LIFTS

DL

Features

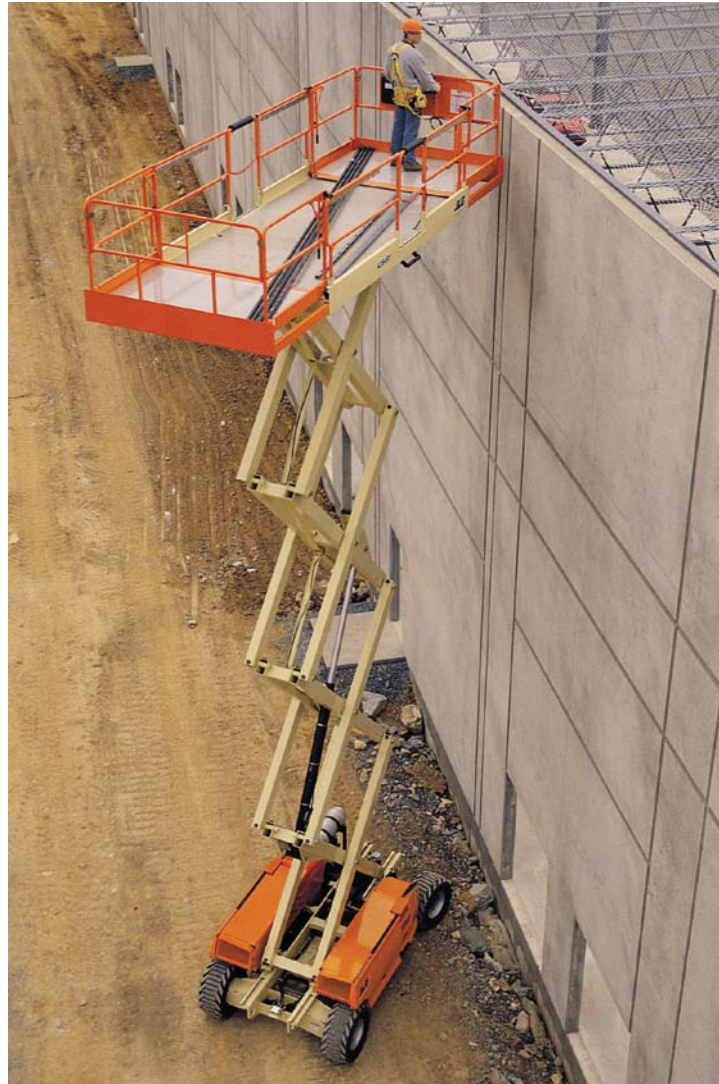
- 4-Wheel Drive
- Automatic Transmission
- Three-Speed Drive Select
- Proportional Drive/Lift Up/Lift Down
- 33 x 15.5–16.5 Superwide Tires
- Oscillating Axle
- 86 x 150 in. (2.18 x 3.81 m) Platform
- 4 ft (1.22 m) Manual Deck Extension
- Aluminum Deck with Grip Strips
- 110V-AC Receptacle in Platform
- Adjustable, Removable Platform Control Station
- On-Board Diagnostics at Platform and Ground Control
- Fuel Gauge in Platform
- Fold-Down Handrails
- Horn
- 3 Degree Slope Alarm and Light
- Manual Descent
- All Motion Alarm

Accessories & Options

- Leveling Jacks
- Additional Extension Deck
- Single Powered Deck Extension
- Dual Powered Deck Extension
- 3500 Watt Generator
- Platform Worklights
- 1/2 in. Airline to Platform
- Self-Closing Entry Gates
- Non-marking 12 x 16.5 Tires
- IN 315/55 D20 Low-Profile Tires
- Flashing Amber Beacon
- 43.5 Propane Tank
- Cold Weather Start Kit

Accessory Packages:

- SkyPositioner® Package
- Nite Bright® Package
- Pipe Rack Accessory



Greater Productivity

- Faster set up with exclusive one-touch leveling jacks option
- Optional Workstation in the Sky® accessories—SkyPositioner® Package for hanging pipe or ductwork, Nite Bright® Package for low-light applications and Pipe Rack accessory—will save time and increase productivity

Higher Capacities and Larger Platforms

- Holds up to 2,250 lb on the Model 3394RT and 1,500 lb on the Model 4394RT
- Features the MegaDeck® platform option with dual deck extensions providing over 145 sq ft of workspace and increased platform length to 20 ft 6 in., more than enough space for sheets of drywall or pipe.

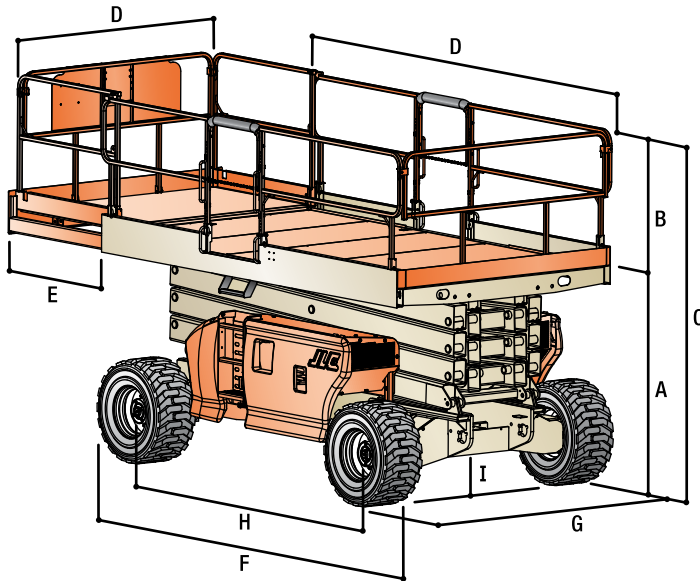
Mobility and Versatility

- 4-wheel drive and hydrostatic transmission deliver unmatched terrainability
- Wide platforms get closer to your work area
- Durable, non-skid aluminum deck

Model RT Series

ROUGH TERRAIN SCISSOR LIFTS

Specifications



Dimensions

| | |
|---------------------------------|------------------------------|
| Platform Height—Elevated | |
| 3394RT | 33 ft (10.06 m) |
| 4394RT | 43 ft (13.11 m) |
| A. Platform Height—Lowered | |
| 3394RT | 5 ft 1.75 in. (1.57 m) |
| 4394RT | 5 ft 10.4 in. (1.79 m) |
| B. Platform Railing Height | 3 ft 7.5 in. (1.1 m) |
| C. Overall Height—Rails Lowered | |
| 3394RT | 6 ft 5.75 in. (1.97 m) |
| 4394RT | 7 ft 2.4 in. (2.19 m) |
| D. Platform Size | 86 x 150 in. (2.18 x 3.81 m) |
| E. Platform Extension | 4 ft (1.22 m) |
| F. Overall Length | 12 ft 8 in. (3.86 m) |
| G. Overall Width | 7 ft 10 in. (2.39 m) |
| H. Wheelbase | |
| 3394RT | 9 ft 8 in. (2.95 m) |
| 4394RT | 9 ft 8 in. (2.95 m) |
| I. Ground Clearance | 12 in. (30 cm) |
| Platform Capacity | |
| 3394RT | 2,250 lb (1,020 kg) |
| 4394RT | 1,500 lb (680 kg) |
| Capacity on Platform Extension | 500 lb (227 kg) |
| Capacity with Dual Extensions | |
| 3394RT | 2,000 lb (907 kg) |
| 4394RT | 1,250 lb (567 kg) |
| Lift/Lower Time | |
| 3394RT | 30/30 seconds |
| 4394RT | 40/43 seconds |

| | |
|---------------------------|-------------------------------------|
| Maximum Drive Height | Full Height |
| Weight w/One Extension* | |
| 3394RT | 11,910 lb (5,402 kg) |
| 4394RT | 15,300 lb (6,940 kg) |
| Ground Bearing Pressure** | |
| 3394RT | 148 psi (10.36 kg/cm ²) |
| 4394RT | 169 psi (11.83 kg/cm ²) |

Chassis

| | |
|--------------------------|------------------------|
| Drive Speed | 4 mph (6.4 km/h) |
| Gradeability | 45% |
| Turning Radius (Inside) | 8 ft 10.5 in. (2.72 m) |
| Turning Radius (Outside) | 19 ft 5.5 in. (5.93 m) |
| Tire Size/Type | 33 x 15.5 Super Wide |
| Brakes—2 Wheel | Spring Applied |

Power Source

| | |
|---------------------------------|-----------------------------------|
| Dual Fuel Engine(Water-Cooled) | |
| | GM Vortec 3000 MPFI 82 hp (61 kW) |
| Diesel Fuel Engine (Air-Cooled) | |
| | Deutz D2011L03 49 hp (36.5 kW) |
| Fuel Tank Capacity | 30 gal. (113.56 L) |
| Hydraulic Reservoir | 32 gal. (121.42) |

*Certain options or country standards will increase weight.
**Ground bearing pressure applies to standard tires.



The JLG "1 & 5" Warranty

JLG Industries, Inc. backs its products with its exclusive "1 & 5" Warranty. We provide coverage on all products for one (1) full year, and cover all specified major structural components for five (5) years. Due to continuous product improvements, we reserve the right to make specification and/or equipment changes without prior notification. This machine meets or exceeds applicable OSHA Regulations in 29 CFR 1910.67, 29 CFR 1926.453, ANSI A92.6-2006, and CSA Standard CAN3-B354.2-M82, as originally manufactured for intended applications.



JLG Industries, Inc.
1 JLG Drive
McConnellsburg, PA 17233-9533
Telephone 717-485-5161
Toll-free in US 877-JLG-LIFT
Fax 717-485-6417
www.jlg.com
An Oshkosh Corporation Company